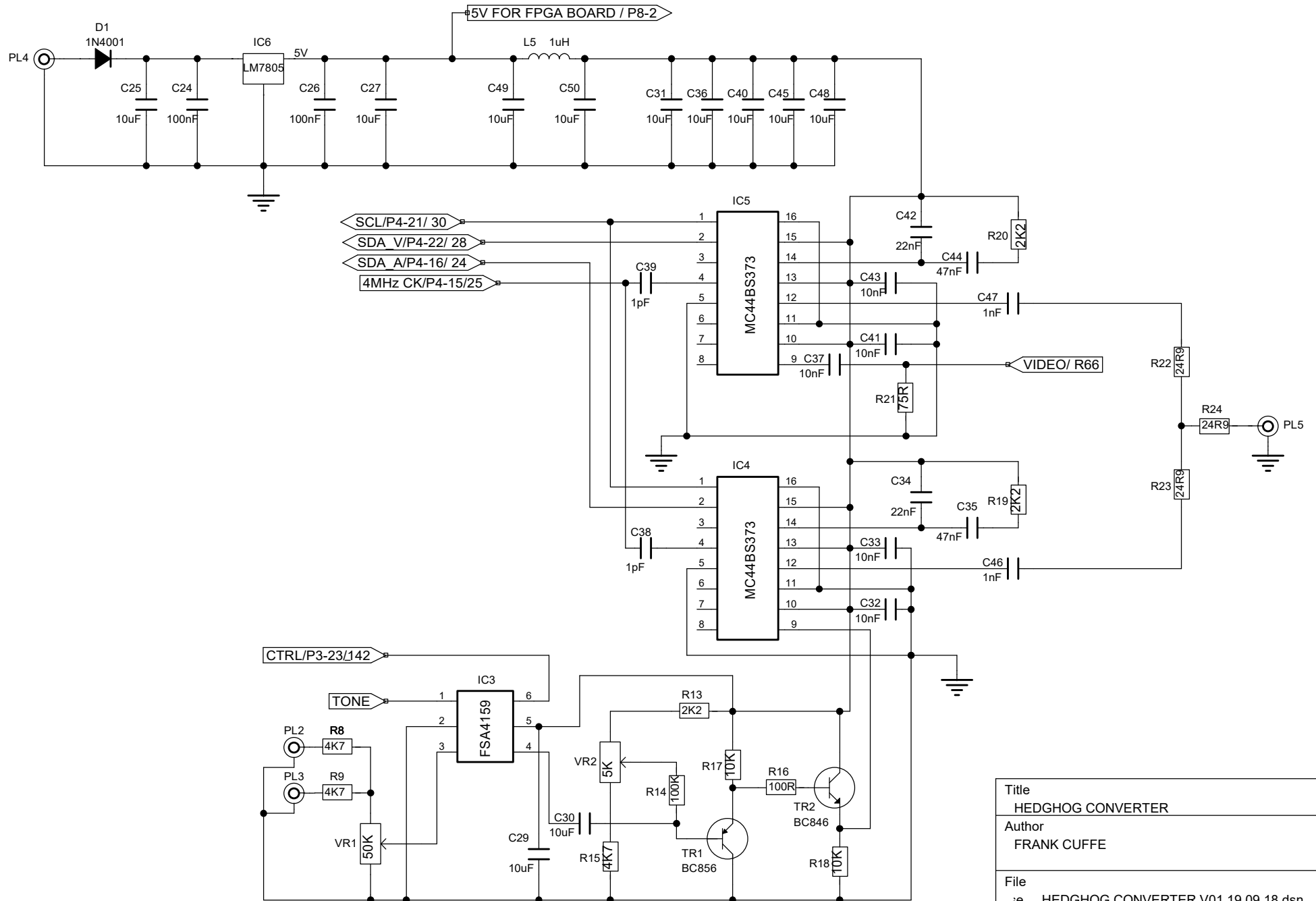


# VIDEO DECODER

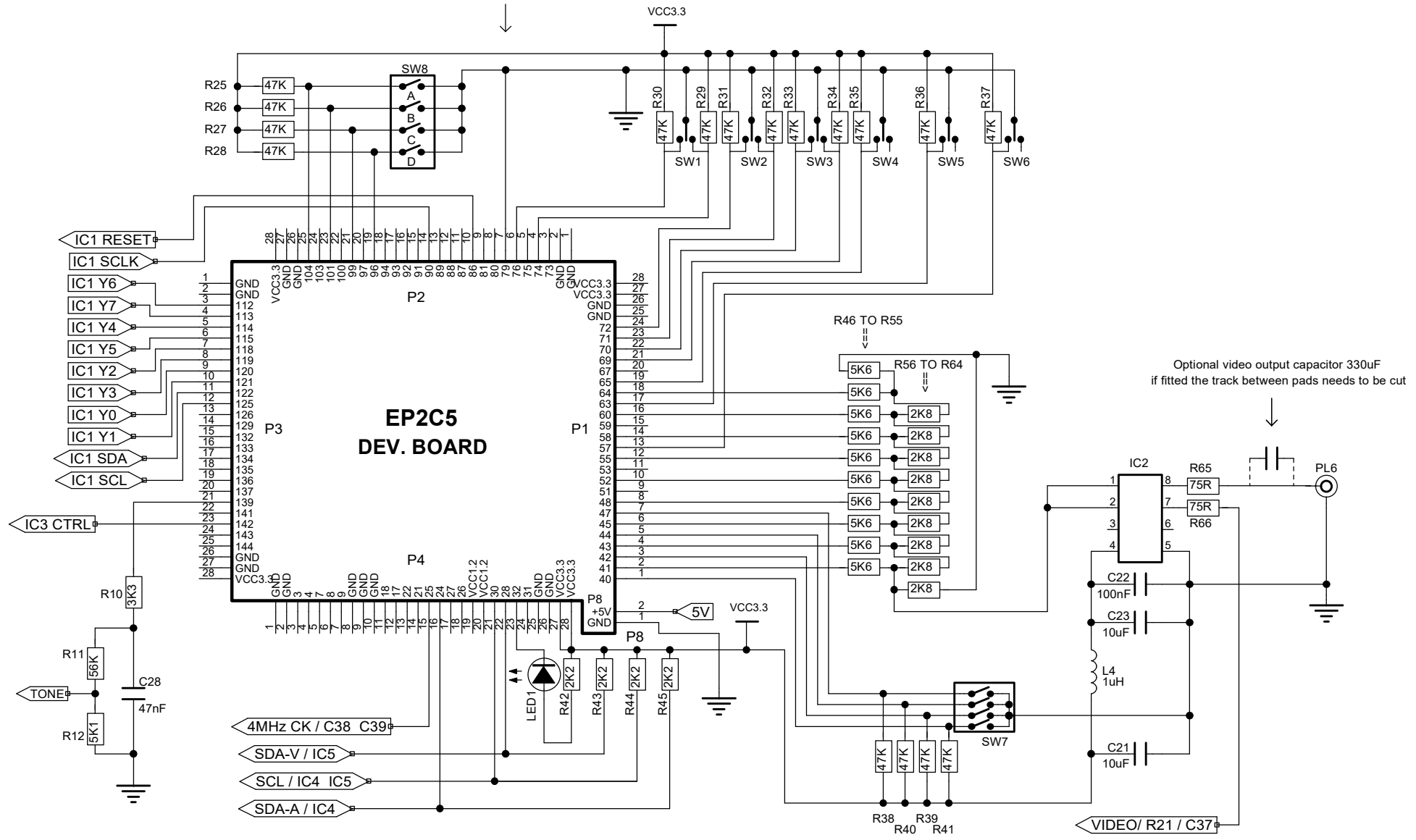
Title HEDGHOG CONVERTER		
Author FRANK CUFFE		
File se ... HEDGHOG CONVERTER V01 19 09 18.dsn	Document	
Revision V01	Date 15/09/2018	Sheets 1 of 1

# POWER, AUDIO INPUT AND MODULATORS



Title HEDGHOG CONVERTER	
Author FRANK CUFFE	
File se ... HEDGHOG CONVERTER V01 19 09 18.dsn	Document
Revision V01	Date 15/09/2018
Sheets 2	

PIN 79 is grounded to disable the FPGA board LED's



# FPGA BOARD, SWITCHES, DAC AND VIDEO AMP

Title HEDGHOG CONVERTER		
Author FRANK CUFFE		
File se ... HEDGHOG CONVERTER V01 19 09 18.dsn	Document	
Revision V01	Date 15/09/2018	Sheets 3